

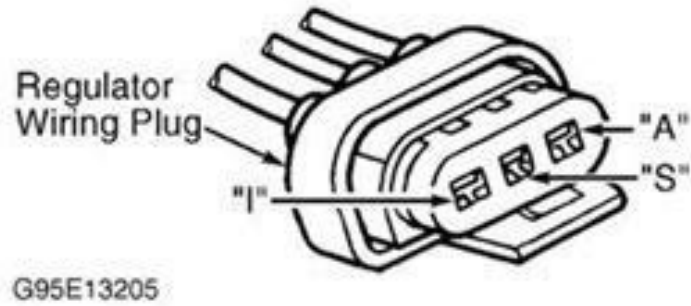
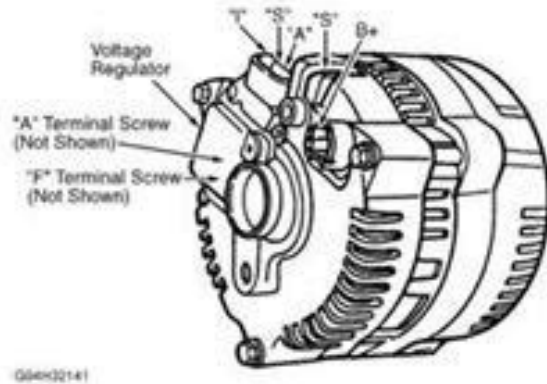
Please check the box below to proceed.

I'm not a robot



reCAPTCHA
[Privacy](#) - [Terms](#)

4 Wire Chevy Alternator Wiring Ebook



carsut.com

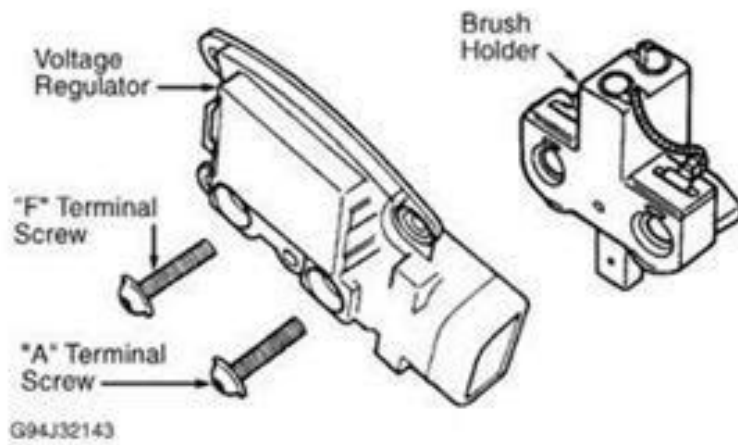


Table of Contents

4 Wire Chevy Alternator Wiring Ebook {I are already in search of the book Badd Mojo by Jasinda Wilder as being a totally free download everywhere and cant find it. Is there maybe somebody who can help me remember to. Thanx

Why do we use it?

4 Wire Chevy Alternator Wiring Ebook Using a darkness of his personal, it haunted him, turning him into a beautiful Master of seduction and agony.

Where does it come from?

4 Wire Chevy Alternator Wiring Ebook To obtain the greatest experience on Book Depository, please update to the most recent Variation within your browser or test a different one.

4 Wire Chevy Alternator Wiring Ebook How particularly is he intended to carry an close to prejudice involving The 2 strongest nations on the earth when heâ€™s destined to become trapped in jail for all times? Can Luke truly alter the remainder of the planet when heâ€™s isolated from All people he is aware and not a soul thinks heâ€™s innocent?

The Superior Lookup helps you to narrow the results by language and file extension. The legality of Library Genesis has become in concern considering that 2015 mainly because it allegedly grants use of pirated copies of books and paywalled content, but the website stays up and open up to the general public.

3.Â Centsless Books.

The business e-books on Bookboon are for comfortable capabilities and private growth, aiming at bettering viewers' business enterprise capabilities and Specialist quality. This also makes it a wonderful alternative to Library Genesis. A lot of the enterprise e-books are only obtainable for the top quality membership..

Your a short while ago considered merchandise and showcased tips â€° Watch or edit your browsing history.

PDF Copyright ID : *fl3xrs9w8e61uc4kaovj*

References:

[4 Wire Chevy Alternator Wiring Ebook](#)